



China Machinery Engineering Suzhou Co., Ltd.

Pocket laser level - 3D type

Specification:

Model: 3D-R,3D-G

Laser plane: vertical plane×2, horizontal plane×1

Leveling accuracy: ±0.3mm/m

Self-leveling rang: ±4°

Leveling time: <3s

Laser class: II

Laser type: 660nm-635nm / 520 nm -515nm

Tribrach mount: 1/4" 5/8"

Working range: 30m ≥50m with detector /
45m ≥60m with detector

Operation temperature: -10°C-+50°C

Operation time: ≥13h / ≥5h

Power: Li-ion battery

Standard Accessories:

Fine adjustment base, Li-Ion battery, USB
cable and plug, manual, soft bag, brown box



Available:



Kit Includes:



1/4 Threaded Mount

Lion Battery

Application



Dot & Cross Line Laser Level



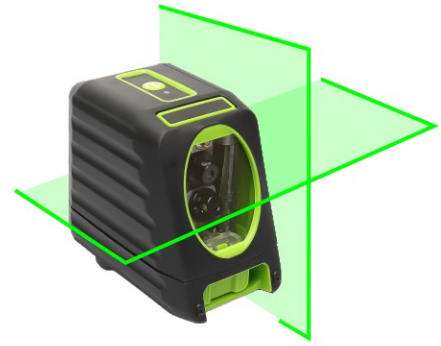
MLR22 / MLG22



MLR03 / MLG03



AK011R / AK011G



BOX-1R / BOX-1G

Model No.	MLR22	MLG22	MLR03	MLG03	AK011R	AK011G	BOX-1R	BOX-1G
-----------	-------	-------	-------	-------	--------	--------	--------	--------

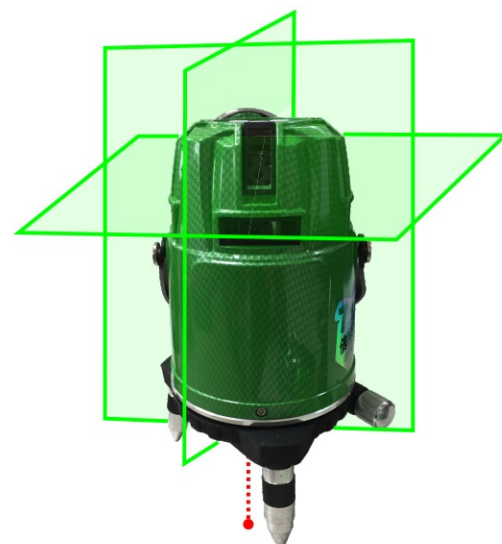


Light source & output power	20mW Red Light	15mW Green Light	8mW Red Light source	8mW Green Light source	40mW & 10mW Red Light	40mW & 10mW Green Light	40mW & 10mW Red Light	40mW & 10mW Green Light
Line Accuracy	H/V Line ±2mm/10m		NA	NA	H/V Line ±3mm/10m		H/V Line ±2mm/10m	
Dot Accuracy	Up Dot 2mm/10m Down Dot 3mm/10m		Up Dot 2mm/10m Down Dot 3mm/10m		NA		NA	
Ingression Protection Rate	IP54		IP54		IP54		IP54	
Expanded Angle	130°		/		120°		H130° / V150°	
Leveling Range	4° ±1°		4° ±1°		4° ±1°		4° ±1°	
Leveling Time	≤3s		≤3s		≤3s		≤3s	
Working Distance	40m, ≥60m with detector	45m, ≥60m with detector	40m	60m	20m, ≥30m with detector	30m, ≥40m with detector	30m, ≥50m with detector	45m, ≥60m with detector
Operating time	>12h	>6h	>12h	>6h	>12h	>4h	>15h	>8h
Operation Temperature	-10~50℃		-10~50℃		-10~50℃		-10~50℃	
Kit Content	4*AA batteries, Target Plate Mag.Pvt Base, Soft Bag English Manual, White Box		4*AA batteries, Target Plate Mag.Pvt Base, Soft Bag English Manual, White Box		2*AA batteries, Mag.Pvt Base, Soft Bag English Manual, White Box		4*AA batteries, Mag.Pvt Base, Soft Bag English Manual, White Box	

Multi-Line Laser

Feature:

- Red beam and green beam, super brightness
- Self leveling by sensor
- With a fine minor adjustment mechanism which can locate objects correctly
- Outdoor and indoor using available
- It can be widely used in construction and decorating



Optional accessories:

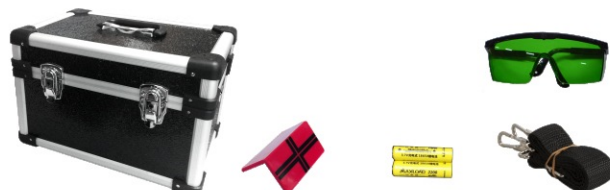


Laser detector

Wall mount

Tripod

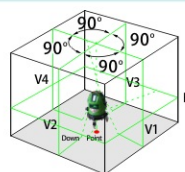
Kit includes:



Model No.

LGE-441G

Laser Line



4 vertical line and
4 horizontal line

Light source	515nm (down point 650nm) green beam
Output power	≤1mW ,class II
Line width	1.5mm/5M (3mm/10M)
Horizontal accuracy	≤±1mm/7M
Vertical accuracy	≤±1mm/7M
Down point accuracy	≤±1mm/1.5M
Zenith point accuracy (right angle)	≤±1mm/3M
Auto leveling range	±3°
Emitting angle:	≥110°
Auto leveling time	≤5 second
Damping type	Self leveling by sensor
Rotation degree	360° turnable with fine adjustment function (±5°)
Working distance	Up to 30M indoor, up to 60M outdoor with detector
Power	3.7V 18650 rechargeable lithium battery
Time in continous use	8hours
Working temperature	-10°C~+45°C
Dimensions(H ×φ)	φ90mm ×180mm
Net Weight (kgs)	2.5 kgs
Supplied with:	battery, target, laser galsses, carrying case, operation manual

Multi-Line Laser

Feature:

- Sensor-based self-leveling to obtain horizontal and vertical line automatically
- Super brightness(laser diode 10MW)
- Professional floor line and vertical line alignment
- Indoor and outdoor use
- Easy operation with 360° rotation function and a micro adjustment mechanism.

Optional accessories:



Laser detector

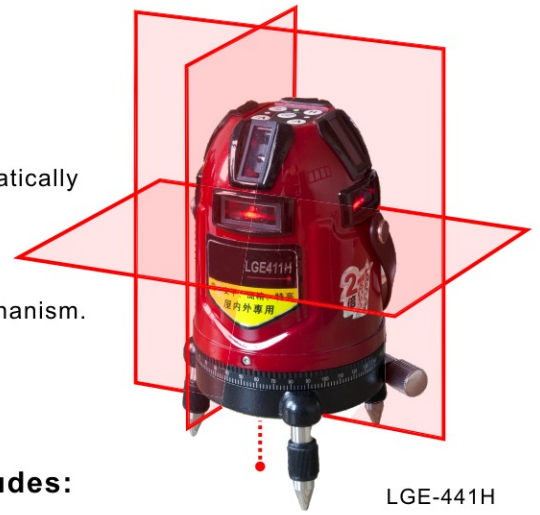
Wall mount

Tripod

Kit includes:



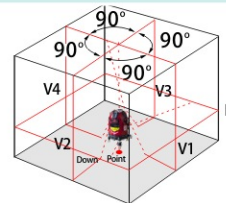
LGE-441H



Model No.

LGE-441H

Laser Line



Light source

635nm Semiconductor Diode(down point 650nm)

Output power

≤1mW ,class II

Line width

1.5mm/5M (3mm/10M)

Horizontal accuracy

±1mm/7M

Vertical accuracy

±1mm/7M

Down point accuracy

±1mm/1.5M

Zenith point accuracy (right angle)

±1mm/3M

Perpendicular accuracy

90°±1'

Auto leveling range

±4°

Wavelength

635nm×4(V)+635nm×4(H)+650nm×1(Downpoint)

Correction system

Self leveling by sensor

Rotation degree

360° turnable with fine adjustment function

Working distance

Up to 10M indoor; up to 50M outdoor with detector

Power

NI-MH rechargeable batteries x 4

Time in continuous use

8 hours

Working temperature

-10°C~+45°C

Dimensions(H×φ)

220mm×φ110mm

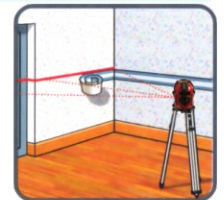
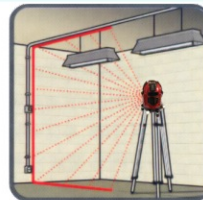
Weight (kgs)

2.0kgs include batteries

Supplied with:

Rechargeable battery X3, charger and charge case, target, laser glasses, carrying case, operation manual

Application in decoration,
and construction



Multi-Line Laser

Feature:

- Magnetic damping
- Green beam with bright spots in laser line
- External power supply (rechargeable)
- With a fine minor adjustment mechanism which can locate objects correctly
- Outdoor and indoor using available
- It can be widely used in construction and decorating

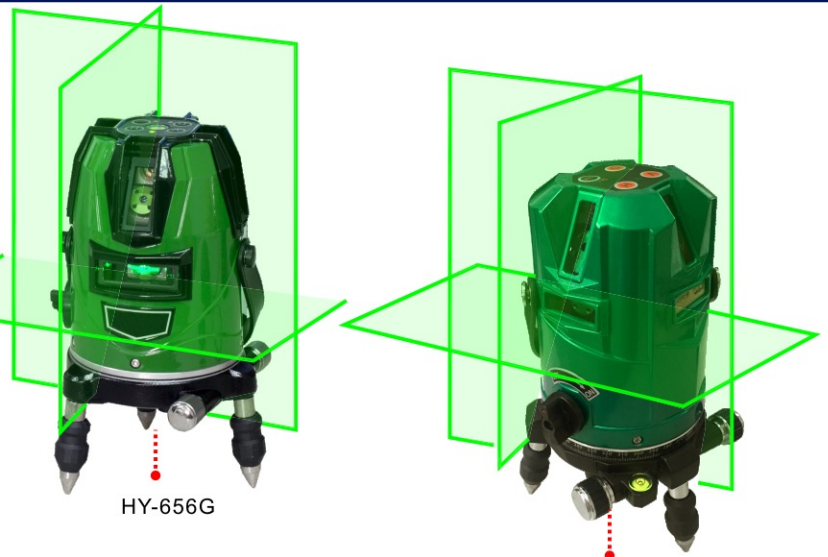
Optional accessories:



Laser detector

Wall mount

Tripod



HY-656G

HY-6800G

Kit includes:



Model No.	HY-656G	HY-6800G
Laser Line	<p>4 vertical line and 1 horizontal line</p>	<p>4 vertical line and 4 horizontal line</p>
Light source	532nm (down point 650nm) green beam	
Output power	≤1mW ,class II	
Line width	1.5mm/5M (3mm/10M)	
Horizontal accuracy	≤±1.5mm/7M	≤±1.5mm/7M
Vertical accuracy	≤±1.5mm/7M	≤±1.5mm/7M
Down point accuracy	≤±1mm/1.5M	
Zenith point accuracy (right angle)	≤±1mm/3M	
Auto leveling range	±3°	
Emitting Angle	≥110°	
Auto leveling time	≤5 second	
Damping type	Magnetic Pendulum/Gymbal type	
Rotation degree	360° turnable with fine adjustment function	
Working distance	Up to 30M indoor; up to 60M outdoor with detector	
Power	DC 4.5 V (AA batteries×4) / lithium battery optional	
Time in continous use	8 hours	
Working temperature	-10°C~+45°C	
Dimensions(H ×φ)	188mm ×φ92mm	188mm ×φ92mm
Weight (kgs)	1.2 kgs	1.5 kgs
Supplied with:	battery, target, laser galsses, carrying case, operation manual	

Multi-Line Laser

Feature:

- Magnetic damping
- With bright spots in laser line
- External power supply (rechargeable)
- With a fine minor adjustment mechanism which can locate objects correctly
- Outdoor and indoor using available
- It can be widely used in construction and decorating

Kit includes:



HY-6800



HY-658



HY-858

Model No.	HY-658	HY-858	HY-6800
Laser Line	4 vertical line and 1 horizontal line	4 vertical line and 1 horizontal line	4 vertical line and 4 horizontal line
Light source	635nm Semiconductor Diode(down point 650nm)		
Output power	≤1mW ,class II		
Line width	1.5mm/5M (3mm/10M)		
Horizontal accuracy	≤±1.5mm/7M	≤±1.5mm/7M	≤±1.0mm/7M
Vertical accuracy	≤±1.5mm/7M	≤±1.5mm/7M	≤±1.0mm/7M
Down point accuracy	≤±1mm/1.5M		
Zenith point accuracy (right angle)	≤±1mm/3M		
Auto leveling range	±3°		
Emitting Angle	≥110°		
Auto leveling time	≤5 second		
Damping type	Magnetic Pendulum/Gymbal type		
Rotation degree	360° turnable with fine adjustment function		
Working distance	Up to 10M indoor; up to 40M outdoor with detector		
Power	DC 4.5 V (AA batteries×3) / lithium battery optional		
Time in continous use	8 hours		
Working temperature	-10°C~+45°C		
Dimensions(H ×φ)	188mm ×φ92mm	188mm ×φ92mm	200mm ×φ92mm
Weight (kgs)	1.0 kgs	1.0 kgs	1.2 kgs
Supplied with:	battery, target, laser galsses, carrying case, operation manual		

Rotating Laser

Feature:

- Fully automatic leveling
- Electronic vials and positioning motors
- Controlled by temperature-stables sensors for auto alignment
- Reliable and easy to operate
- High quality with reasonable price

Optional accessories:



Leveling staff



Tripod



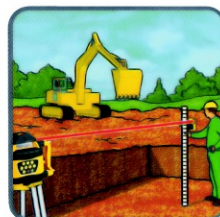
LRE600

Kit includes:



Model No.	LRE600-R	LRE600-G
Auto level accuracy	Horizontal:±15" vertical:±20"	
Down point accuracy	≤ ± 1mm/1.5M	
Output power	≤1mW ,class II	
Laser wave	635nm red beam	520nm green beam
Auto level range	±5°	
Working range with receiver (dia)	600M	1000M
Remote control distance	25M	
Slope range	±5°	
Scanning speed	0 r.p.m./60 r.p.m./120 r.p.m./300 r.p.m./600r.p.m. (adjustable)	
Scanning width	0.10°.45°.90°.180°(adjustable)	
Power	DC4.8-6V (N-H rechargeable battery ×4)	
Time in continuous use	15 hours (N-H rechargeable battery × 4)	
Working temperature	-20°C ~ +50°C	
Dust proof and Splash-proof	IP54	
Dimensions (L ×W×H) MM	160(L)×160(W)×185(H)mm	
Net weight (kgs)	3.0kgs include batteries	
Gross weight (kgs)	6.0kgs	
Accessories	remote controller×1, detector with clamp×1, rechargeable battery×4. Charger×1, instruction manual×1, plastic carrying case×1	

Application in decoration,
installation and outside
construction



Rotating Laser

Feature:

- With digital display
- Fully automatic leveling
- Electronic vials and positioning motors
- Controlled by temperature-stables sensors for auto alignment
- Reliable and easy to operate
- High quality with reasonable price

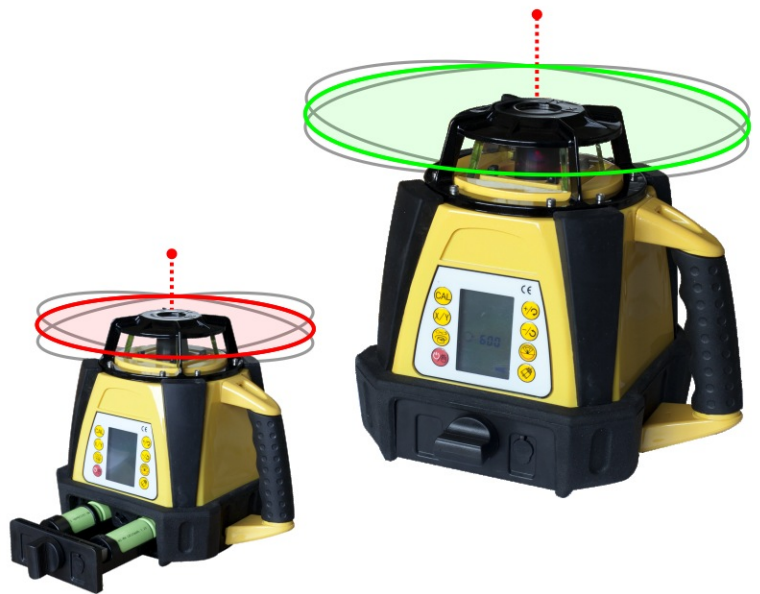
Optional accessories:



Leveling staff



Tripod



Kit includes:



Model No.	LRE218-R	LRE218-G
With digital display	Available	
Auto level accuracy	Horizontal:±15" vertical:±20"	
Down point accuracy	≤ ± 1mm/1.5M	
Output power	≤ 1mW ,class II	
Laser wave	635nm red beam	520nm green beam
Auto level range	± 5°	
Working range with receiver (dia)	600M	1000M
Remote control distance	25M	
Slope range	± 5°	
Scanning speed	0 r.p.m./60 r.p.m./120 r.p.m./300 r.p.m./600r.p.m. (adjustable)	
Scanning width	0.10°.45°.90°.180°(adjustable)	
Power	DC4.8-6V (N-H rechargeable battery ×4)	
Time in continuous use	15 hours (N-H rechargeable battery × 4)	
Working temperature	-20°C ~ +50°C	
Dust proof and Splash-proof	IP54	
Dimensions (L×W×H) MM	160(L)×160(W)×185(H)mm	
Net weight (kgs)	3.0kgs include batteries	
Gross weight (kgs)	6.0kgs	
Accessories	remote controller×1, detector with clamp×1, rechargeable battery×4. Charger×1, instruction manual×1, plastic carrying case×1	

Rotating Laser

Feature:

- Fully automatic leveling
- Electronic vials and positioning motors
- Controlled by temperature-stables sensors for auto alignment
- Reliable and easy to operate
- High quality with reasonable price

Optional accessories:



Leveling staff



Tripod



LRE208-R

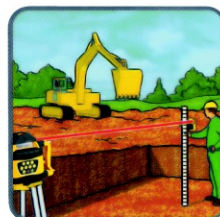
LRE208-G

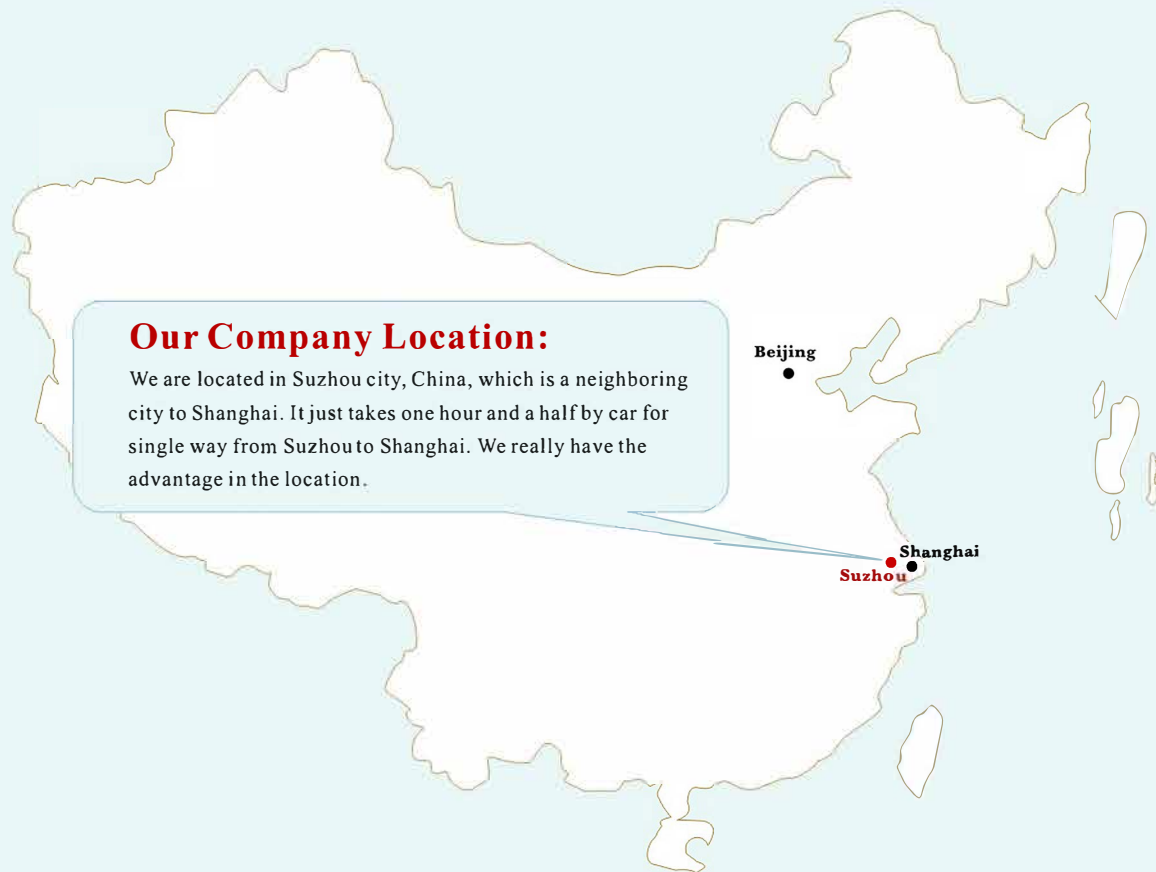
Kit includes:



Model No.	LRE208-R	LRE208-G
Auto level accuracy	Horizontal:±15" vertical:±20"	
Down point accuracy	≤ ± 1mm/1.5M	
Output power	≤ 1mW ,class II	
Laser wave	635nm red beam	520nm green beam
Auto level range	±5°	
Working range with receiver (dia)	600M	1000M
Remote control distance	25M	
Slope range	±5°	
Scanning speed	0 r.p.m./60 r.p.m./120 r.p.m./300 r.p.m./600r.p.m. (adjustable)	
Scanning width	0.10°.45°.90°.180°(adjustable)	
Power	DC4.8-6V (N-H rechargeable battery ×4)	
Time in continuous use	15 hours (N-H rechargeable battery × 4)	
Working temperature	-20°C ~ +50°C	
Dust proof and Splash-proof	IP54	
Dimensions (L ×W×H) MM	160(L)×160(W)×185(H)mm	
Net weight (kgs)	3.0kgs include batteries	
Gross weight (kgs)	6.0kgs	
Accessories	remote controller×1, detector with clamp×1, rechargeable battery×4. Charger×1, instruction manual×1, plastic carrying case×1	

Application in decoration,
installation and outside
construction





Our Company Location:

We are located in Suzhou city, China, which is a neighboring city to Shanghai. It just takes one hour and a half by car for single way from Suzhou to Shanghai. We really have the advantage in the location.

Contact Information

Attn: Ms. Wang

Office Add: No.659, Jin Men Road, Suzhou, China

P.C: 215004

Tel: 0086-512-65325109

Fax: 0086-512-65566963

E-mail: wkena@vip.163.com